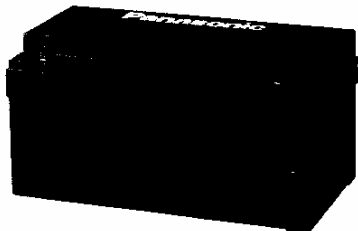


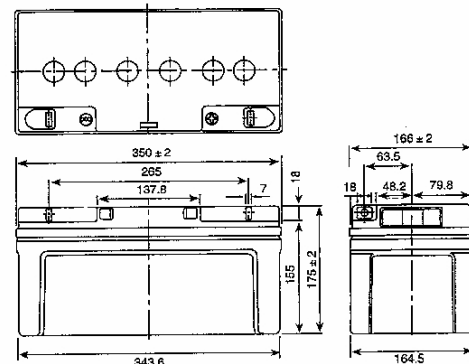
LC-X1265



★ Contents indicated (including the recycle marking, etc) are subject to change without notice.

For standby power supplies.
Expected trickle life: Approx. 6 years at 25°C, approx. 10 years at 20°C.

Dimensions (mm)

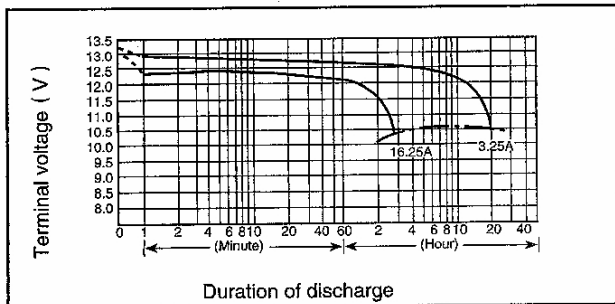


Battery case resin: standard (UL94HB)

Specifications

Nominal voltage	12V	
Rated capacity (20hour rate)	65Ah	
Dimensions (mm)	Length	350
	Width	166
	Height	175
	Total height	175
Mass (Approx. Kg)	20.00	

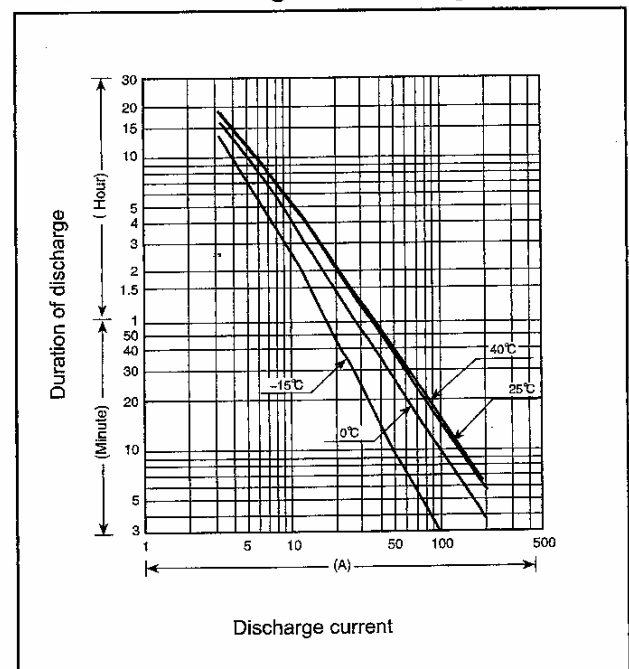
Discharge characteristics (25°C) (note)



Characteristics

Capacity (note) (25°C)	20 hr (3.25A)	65Ah
	10 hr (5.90A)	59Ah
	5 hr (10.60A)	53Ah
	1 hr (40.00A)	40Ah
	1.5 hour rate discharge cut-off voltage 10.5V	26A
Internal resistance (25°C fully charged)	Approx. 7.0mΩ	
Temperature dependency of capacity (20 hour rate)	40°C	102%
	25°C	100%
	0°C	85%
	-15°C	65%
Residual capacity after self-discharge (25°C)	3 months	91%
	6 months	82%
	12 months	64%
Terminal	Lead post	
Charging method (25°C)	Trickle	Control voltage 13.6-13.8V
		Initial current 9.75A or smaller
Expected life (25°C, 0.25CA)	Trickle	over 6 years

Duration of discharge vs. discharge current (note)



Note: The above characteristics data are average values obtained within 3 charge/discharge cycles, not the minimum values.